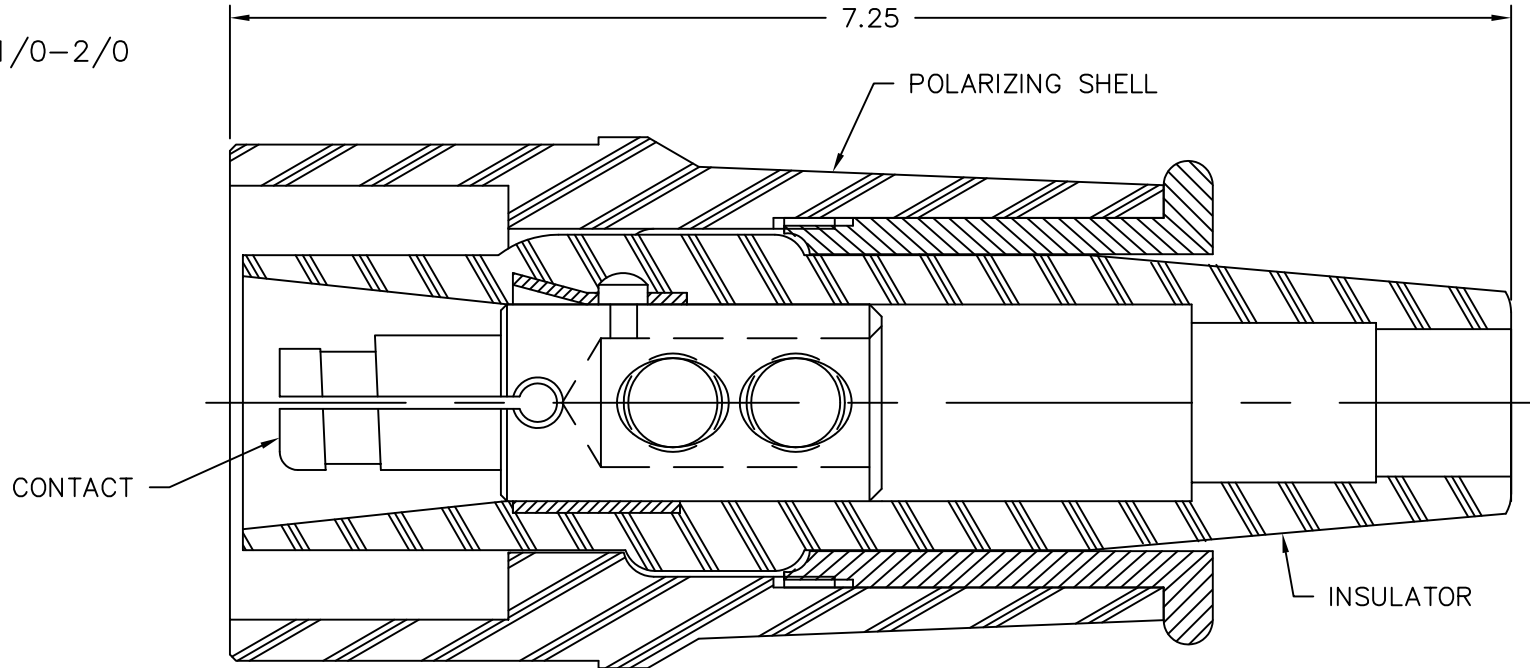


E0400-AA


REVISIONS		
REV	DESCRIPTION	DATE
A	INITIAL RELEASE	10/20/10

MAX ELECTRICAL RATING:  
 600 VOLTS  
 300 AMPS  
 CABLE SIZE: 1/0-2/0



PART NO.	POL. NO.	COLOR
E0400-151	#1	GREEN
E0400-152	#2	WHITE
E0400-153	#3	BLACK
E0400-154	#4	RED
E0400-155	#5	BLUE
E0400-156	#6	BROWN
E0400-157	#7	ORANGE
E0400-158	#8	YELLOW

CUSTOMER DRAWING  
 FOR REFERENCE ONLY

	4758 Washington Street LaGrange, NC 28551		TITLE: E0400 MALE PLUG ASSEMBLY WITH DOUBLE SET SCREW STYLE CONTACT	
	SIMILAR TO/REPLACES	DR. BY: R. EUBANKS	SCALE: N/A	SHT 1
DRAWING SIZE A		DATE: 10/20/10	DWG. NO. E0400-AA	OF 1
ACAD DIR=CUST DWG		ACAD FILE=E0400-AA		1

TOLERANCES UNLESS OTHERWISE SPECIFIED  
 DECIMAL: .X ±.03 .XX ±.015 .XXX ±.005  
 ANGLES ± 1/2° FRACTIONS ± 1/64"

THIS DOCUMENT CONTAINS CONFIDENTIAL AND TRADE SECRET INFORMATION WHICH IS THE PROPERTY OF COOPER INTERCONNECT, A DIVISION OF COOPER INDUSTRIES, INC. AND RECEIPT OR POSSESSION DOES NOT CONVEY ANY RIGHTS TO LOAN, SELL, OR OTHERWISE DISCLOSE SAID INFORMATION. REPRODUCTION OR USE OF SAID INFORMATION FOR ANY PURPOSE OTHER THAN THAT IN CONNECTION WITH WHICH SAID INFORMATION WAS SUPPLIED MAY NOT BE MADE WITHOUT EXPRESS WRITTEN PERMISSION OF COOPER INTERCONNECT. THIS DOCUMENT IS TO BE RETURNED TO COOPER INDUSTRIES, INC. UPON REQUEST AND IN ALL EVENTS UPON COMPLETION OF THE PURPOSE FOR WHICH IT IS LOANED.